



# POWERBOX

SITEX

## The new CP control unit



ICM has designed the first ever 'Plug & Play' control unit for X-ray portables. This outstanding innovation features two graphic Vacuum Fluorescent Displays and CANNON MIL connectors.

It is supplied with 90 to 264 VAC mains voltage, which is selector free. Light yet robust, it offers a multi-working positions handle and a highly intuitive multilingual menu. Furthermore, it is shockproof, safe and reliable, even in harsh cold, warm and dusty environments.

We are certain that the 'PowerBox' will change the way you perform RT inspections.

### KEY FEATURES

- 90 to 264 V mains selector free
- Multilingual menu navigation
- 128 x 256 pixels VF Displays
- Constant power mode
- 5.000 records can be stored
- Exposure time calculator
- Soft customizable exposures
- Automatic preheating
- Rubber shock absorber
- Working temp range of -30°C to +55°C
- Weighs 7.9 kg and IP65 protection class
- USB for monitoring & upgrade
- Full system monitoring
- Auto resettable fuses
- Fail-safe pilot lights
- Autodrive all SITEX CP
- MIL CANNON connectors

### EXCEPTIONAL PERFORMANCES

Let us help you better understand the technology breakthrough that ICM has achieved in releasing this new SITE-X CP range and the excellent performance it will deliver. You will discover that our CP200D tubehead, together with the lead cap, four diaphragms and its laser pointer, PLUS its 'PowerBox' and its two cables are - combined - LIGHTER than any single 200 kV CP tube head made by any of our competitors. And in most cases, they are MUCH LIGHTER.

However, we obviously did not design our systems only to be light. We also gave them the best duty cycle ever and we naturally decided to use our now tried and trusted highly reliable, self-designed and CrO2 coated X-ray tubes. These provide our customers with the very latest evolution of the ultra-high vacuum technology in the X-ray generation.

The 'PowerBox' control unit is not a minor component of the new system. It is one of the best!

Its broader power range (from 90V to 264 VAC) voltage selector free means that this small and robust control unit will operate from practically any mains power network worldwide. Alternatively, its 0.99 power factor means it can operate from any of the most commonly used light and low power generating sets available on the market.

Indeed, it will even be possible for the 'PowerBox' to take its energy from a car battery by simply using a small additional DC/AC converter.

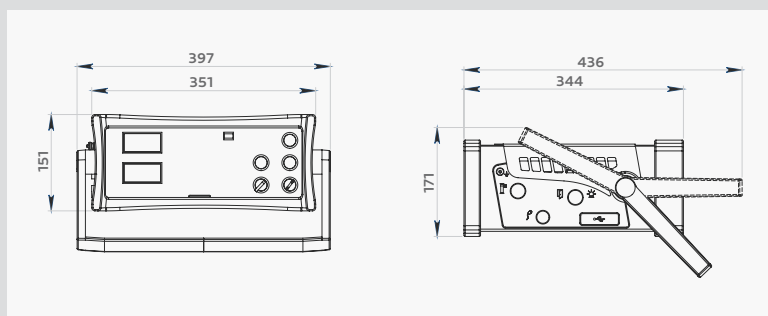


# POWERBOX technical specifications :

Technical specifications	UNITS	PowerBox
kV, mA and time settings steps	kV, mA, sec	1, 0.1, 1
Exposure time range	min, sec	1 sec to 99 min 59 sec
Constant power mode	-	Yes
Adjustable pre-warning time	sec	3 to 99
Pilot light indicators (Power ON, X-ray ON, Securities)	-	3
Independent 'START' and 'STOP' push buttons	-	Yes
Two position safety key rotary switch	-	X-ray ON / STANDBY
Two position main rotary switch	-	Main ON / OFF
Dual high brightness graphic Vacuum Fluorescent Displays (VFD)	-	2 (off) 64 pixels x 128 pixels each
Total number of languages, including Chinese, Japanese & Russian	-	19
Polyester alphanumeric keypad with sensory touch and sound effect	-	Yes
Preheating is function of selected kVs (kV max by default)	-	Fully automatic
Exposure time calculator (material, FFD, film, density, kV, mA, time)	-	Standard
User-defined data enabling exposure time calculation	-	Standard
Programmable safety interlocks	-	3
Side panel USB port to enable monitoring and software update	-	1
Clear indication of the precise carousel system position	-	Lead cap, laser, be window, etc..
Type of power supply	-	Mains, generator, battery (option)
Supply voltage range – SELECTOR FREE – Auto resettable fuses	VAC	From 90 to 264
Supply frequency range – SELECTOR FREE	Hz	From 45 to 66
Input power factor when at full output	%	99
Input current at full power, 230 VAC	A	6.0
Storage ambient temperature range	°C	-40 to +80
Working ambient temperature range	°C	-30 to +55
Protection Class	-	IP65
Weight	Kg	7.9
Dimensions	mm	351 (W) x 151 (H) x 344 (D)



## Dimensions



## Optional accessories

- External fail-safe audible / flashing warning system
- External fail-safe flashing warning system
- "STORMCASE" transport system
- 20 m extension interconnection cable (up to 5x to reach 100 m)
- Single interconnection cable customized up to 100 m in length
- 10 m interlock cable for 3 door programmable contacts
- 1.5 m USB cable to enable monitoring and software upgrade
- Car battery / 220 VAC converter

## Standard delivery features

- Bag to store cables and safety accessories
- 10 m universal mains voltage power supply cable (1.1 kg)
- 20 m interconnection cable (4.3 kg)
- Exposure time calculator software

## Certifications

- CE certified
- NFC74-100 Bureau VERITAS LCIE certified
- PTB certified
- Manufactured under ISO9001/2008 certified quality management system