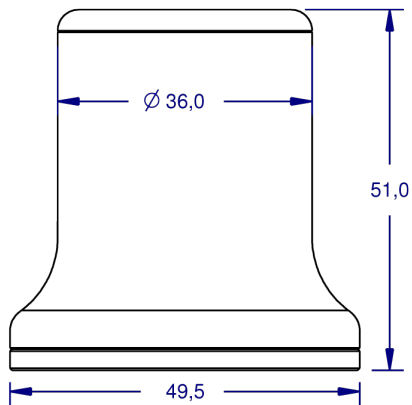
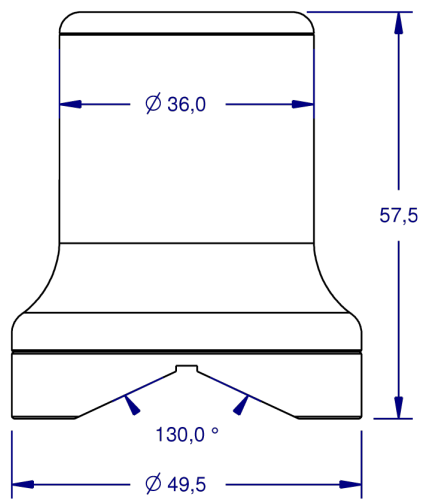


# Probe supports

for UCI Hardness Tester alphaDUR



model flat surfaces



model round specimen 10/50

model round specimen 50/250

