

▶ THE FUTURE IS NOW



GO-SCAN 1510 XR

Portable Digital Radiography Detector



TELEDYNE ICM
Everywhereyoulook™

Part of the Teledyne Imaging Group

Enter into the new world of digital inspection



BATTERY OPERATED



IP 65



WIRELESS OR CABLE



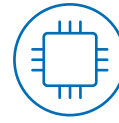
CMOS TECHNOLOGY



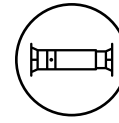
PLUG & PLAY



RUGGEDIZED



STATE-OF-THE-ART IMAGE EDITING SOFTWARE



FULLY INTEGRATED

FEATURES

	Unit	GO-SCAN 1510 XR
GENERAL		
Technology	-	CMOS Active Pixel
Pixel pitch	µm	49.5
Pixel capacity mode	#	1
Active area	mm/in	114 x 145 / 4.5 x 5.7
Active resolution	pxl	2304 x 2940
BANDWIDTH		
Data interface	-	GigE & Wi-Fi
ADC conversion	bits	14
Frame rate- 1x1 (GigE)	fps	up to 9*
POWER CONSUMPTION		
Power supply	-	Battery / Main*
Power consumption	W	15
Battery performance	-	Approx. 7 hours
INTEGRATION		
Dimension detector head	mm/in	238 x 154 x 25 / 9.4 x 6.0 x 1.0
Overall dimension (control box included)	mm/in	238 x 154 x 80 / 9.4 x 6.0 x 3.1
Detector head weight	[Kg] / [lb]	1.6 / 3.5
Overall weight (control box included)	Kg / lbs	3.5 / 7.7

ENVIRONMENTAL		
Operating temperature	°C/°F	-20, 50°C / -4, +122°F
Storage temperature	°C/°F	-20, 50°C / -4, +140°F
Humidity	% R.H.	20 to 80
X-ray energy range	kV	10..225

(* with Power/Com Cable accessory)

ACCESSORIES



FIXTURING BAR



LATERAL FEET



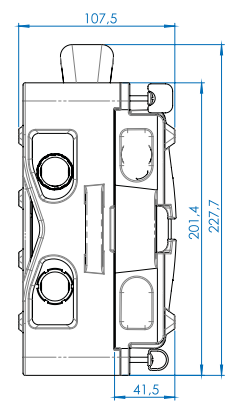
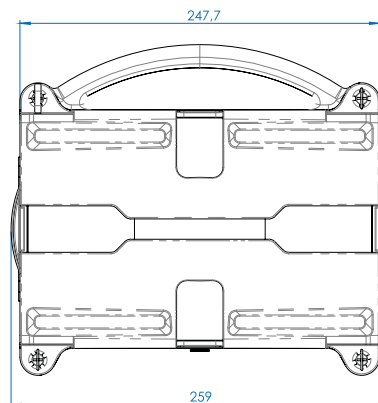
POWER/COM CABLE

SHERLOCK NDT SOFTWARE



Image editing	Smart measurement tool
ADRC dynamic filter	SNR
Local contrast enhancement	Greyscale feature
Teledyne filter	iSRb
Histogram equalization	Annotation / Highlight
Emboss	Mirroring / Rotation
Black & white	Auto IQI
Pseudo-colours	Pixel map edition

DRAWINGS



All specifications are non contractual and subject to change without prior notice.

TELEDYNE ICM

Zoning Les Plenesses / Rue Du Progrès 3 / B-4821 Andrimont (Dison) - Belgium
+32 (0)87 44 01 50 / icm.sales@teledyne.com



TELEDYNE ICM
Everywhereyoulook™

Part of the Teledyne Imaging Group